

# HIGH PRESSURE DIFFUSER

ISOKINETIC HIGH PRESSURE DIFFUSER



**T**HE HIGH PRESSURE DIFFUSER was designed for use with Lighthouse Handheld, Solair and ApexZ airborne particle counters in applications where the sample is under pressure. Standard applications include sampling of CDA, nitrogen and other inert gasses.

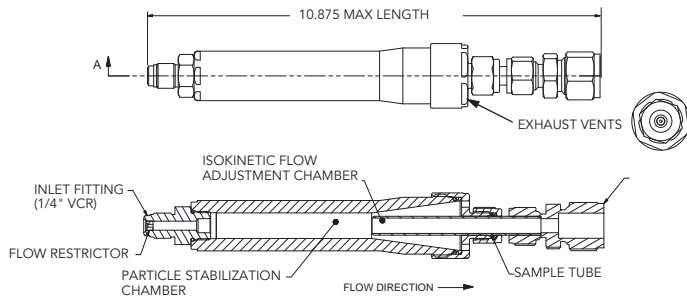
Available in vented or ported versions, the configuration is determined by the excess sample gas being vented into the test area (vented model) or exhausted outside of the test area (ported model).

The 5-piece stainless steel design is constructed with replaceable fluorocarbon (Viton) o-rings for easy disassembly and cleaning or service.

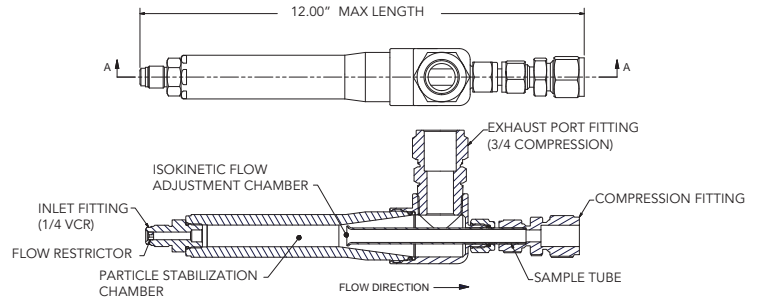
## FEATURES

- Allows sampling of inert pressurized gases
- 0.1, 1.0, 2.0, 3.5 CFM models available
- Pressure ranges from 5 - 150 psi (depending on flow rate)
- Ported and exhausted versions available
- Compatible with Handheld, Solair and ApexZ instruments
- 2 year warranty

### High Pressure Diffuser Vented Version



### High Pressure Diffuser Ported Version



## TECHNICAL DATASHEET

# High Pressure Diffuser Isokinetic High Pressure Diffuser

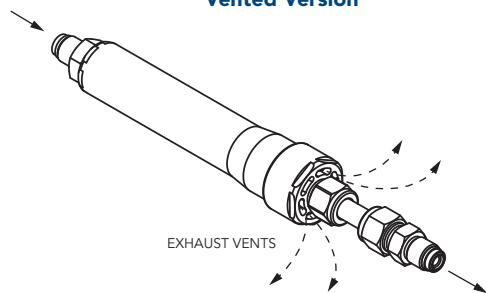
Model	High Pressure Diffuser Vented Version	High Pressure Diffuser Ported Version
<b>Description</b>	Isokinetic high pressure diffuser, vented version	Isokinetic high pressure diffuser, ported version
<b>Diameter</b>	1.30 (3.3 cm) at max diameter x 10.65" [27 cm] max length	1.30" (3.3 cm) at max diameter x 11.76" [29.9 cm] max length
<b>Weight</b>	1.1 lbs (0.5 kg)	1.50 lbs (0.68 kg)

Particle Counter Compatibility	CFM	LPM	Inlet Pressure Range	Tubing Size
<u>Blower based particle counters</u>				
ApexZ3	1.0	28.3	30 - 150 psi, (2.0 - 10.3 bars)	3/8"
ApexZ50 (ported)	3.5	100	70 - 150 psi, (4.8 - 10.3 bars)	1/2"
ApexZ50 (ported)	3.5	100	30 - 70 psi, (2.0 - 4.8 bars)	1/2"
ApexZ50 (ported)	3.5	100	5 - 10 psi, (0.35 - 0.69 bars)	1/2"
<u>Pump based particle counters</u>				
Handheld 2016, 3016, 5016	0.1	2.83	30 - 150 psi, (2.0 - 10.3 bars)	1/4"
Solair 3100/5100	1.0	28.3	30 - 150 psi, (2.0 - 10.3 bars)	1/4"
Solair 3350	3.5	100	70 - 150 psi, (4.8 - 10.3 bars)	3/8"

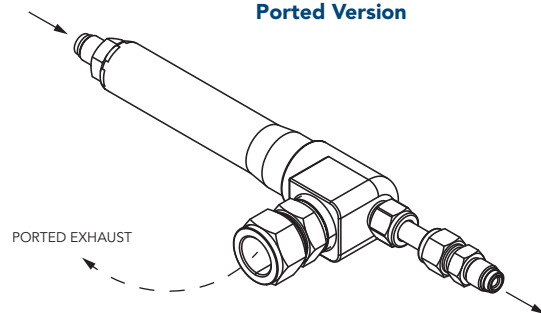
### Specifications

<b>Materials</b>	Stainless steel with Nitrile (Buna-N) and fluorocarbon (Viton) o-rings
<b>Flow Control</b>	Metal orifice
<b>Isokinetic Sampling Point</b>	Adjustable over the inlet pressure range
<b>Sample Fluid</b>	Pressurized air, nitrogen and inert gasses
<b>Inlet and Outlet Ports</b>	Inlet (1/4" metal gasket high purity VCR fitting), Outlet (compression, union fitting)
<b>Cleanability</b>	Easily disassembled and cleaned; replaceable o-rings

### Vented Version



### Ported Version



### Distributed By:



Lighthouse Worldwide Solutions reserves the right to change specifications without notice.

www.golighthouse.com 1-800 945 5905 (Tollfree)  
 info@golighthouse.com 1-541 770 5905 (Outside of USA)

