

Remote5104V

AIRBORNE PARTICLE COUNTER



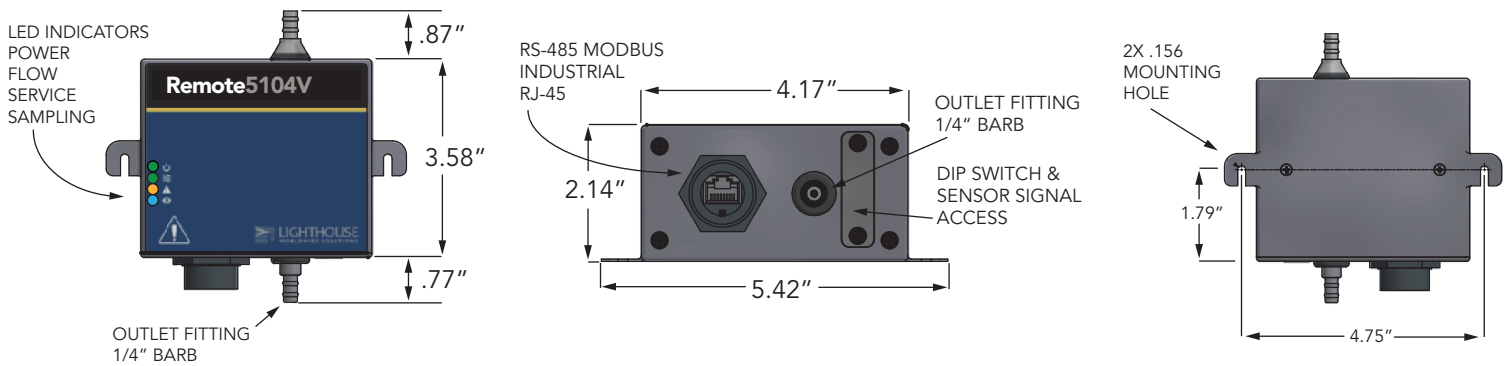
COMPATIBLE with VHP, the Remote 5104V meets the stringent requirements of today's aseptic processing application. In addition the Remote 5104V was designed to operate in CLASS 1 DIV 2 hazardous environments found in many challenging applications.

The Remote 5104V uses a critical orifice and external vacuum source for flow control. Built-in flow monitoring assures accuracy and reliability of the sensor's performance.

With a sensitivity of 0.5 μm and 1.0 CFM flow rate, the Remote 5104V provides real-time continuous data collection at a cost-effective price per point and integrates seamlessly with facility monitoring and building management systems.

FEATURES

- Class I Division 2 Rating
- 0.5- 5.0 μm (optional channels up to 25 μm)
- 1.0 CFM (28.3 LPM) flow rate
- Up to 4 channels of simultaneous count data
- Meets ISO 21501-4 standards
- Real-time continuous monitoring
- 316L stainless steel, wash down splash tight enclosure
- Status indicators for power, flow, service, sampling
- RS-485 Modbus communication
- Interfaces to facility monitoring systems
- Uses external vacuum source
- 2 year warranty.



T E C H N I C A L D A T A S H E E T

Remote 5104V Remote Airborne Particle Counter

Features

Size Range	0.5 - 25.0 μm
Standard 2 Channels (optional 4)	0.5, 5.0 μm ; (0.5, 1.0, 5.0, 25.0 μm)
Counting Efficiency	50% @ 0.5 μm ; 100% for particles > 0.75 μm per ISO 21501-4
Flow Rate	1.0 CFM (2.83 LPM)
Laser Source	Laser Diode
Zero Count Level	< 1 count / 5 minutes per ISO 21501-4
Concentration Limits	1,000,000 particles /ft ³ (34,300,000/m ³) @ 10% coincidence loss
Data Storage	Rotating buffer, 2000 records
Calibration	Meets ISO 21501-4 calibration using NIST traceable PSL spheres
Vacuum Requirements	External vacuum > 18" Hg (45.72 cm Hg)
Air Flow	Internally monitored
Communication Modes	RS-485 Modbus
LED Indicators	Power, flow, service, sampling
Connector	Industrial RJ-45
Supporting Software	LMS Express, LMS Express RT, LMS Pharma, LMS Pro.
Enclosure	316L Stainless steel, wash down resistant, splash tight
Power	24 VDC
Dimensions	5.42" (l) x 2.14" (w) x 3.58" (h), [13.76 cm (l) x 5.43 cm (w) x 9.09 cm (h)]
Weight	15.6 oz (0.44 kg)

Environmental Conditions

Operating: 50°F to 104°F (10°C to 40°C) / 20% to 95% non-condensing
 Storage: 14°F to 122°F (-10°C to 50°C) / up to 98% non-condensing

Included

Operating manual on CD, purge filter, power supply, power chord.

Optional

Isokinetic sampling probe, sample tubing, cabling.

Distributed By:



Lighthouse Worldwide Solutions reserves the right to change specifications without notice.

www.golighthouse.com
info@golighthouse.com

1-800 945 5905 (Tollfree)
 1-541 770 5905 (Outside of USA)

