

RemoteDP

DIFFERENTIAL PRESSURE SENSOR



The Remote DP Sensor has been designed for cleanroom operations with an IP67 rated housing and easy field service features. The Remote DP Sensor combines a flexible field selectable range, output and calibration options. A local display allows for cleanroom personnel to easily identify room specifications before entering sterile rooms.

The Remote DP Sensor has an accuracy of $\pm 1.0\%$ or can come with a more sensitive 0.5% accuracy over the full range. The sensor has been designed for easy on-site installation and comes in wall, cabinet and duct mounted versions with fixed or extended probes to enable installation in challenging situations. The Remote DP Sensor uses a stainless steel capacitive design with an advanced capacitive element which provides excellent reliability and stability with low measuring ranges available.

FEATURES

- 4 to 8 Selectable Field Ranges
- Enhanced Sensor Protection
- Simple On-site Installation
- Wall, Cabinet or Duct Mounted
- Cleanroom Wipe Down
- Local Display
- IP67 Enclosure
- 2 Year Warranty

RemoteDP Sensor Specifications

Performance Data	DP-0.5	DP-1.0
Field Selectable Ranges (Bidirectional)	±0.1" WC (±25 Pa) ±0.25" WC (±50 Pa)	±0.1" WC (±25 Pa) ±0.25" WC (±50 Pa)
		Model for Higher Pressure Applications
		±0.5" WC (±100 Pa)
		±1.0" WC (±250 Pa)
		±2.5" WC (±500 Pa)
		±5.0" WC (±1,000 Pa)
Accuracy Scale	±0.5% Full Scale	±1.0% Full Scale
Long Term Stability (max.)	1.0% FS/YR	2.0% FS/YR

Physical Description

Case	Fire-Retardant Polycarbonate (UL 94 V-0 Approved), Hinged Lid
Display	4 Digit LCD
Mounting	Wall/DIN or Duct Mounting
Electrical Connection Block	Removable Screw Terminal
Pressure Fitting	3/16" O.D. Barbed Brass
Zero	Push Button
Span	Push Button
Weight (approx.)	8 Ounces

Environmental Data

Operating Temperature	32 to 122°F (0 to 50°C)
-----------------------	-------------------------

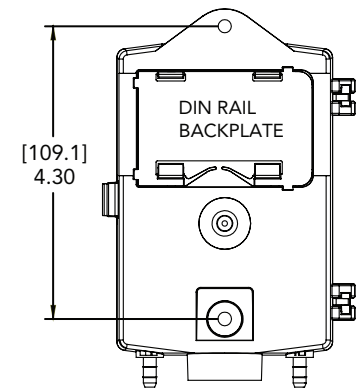
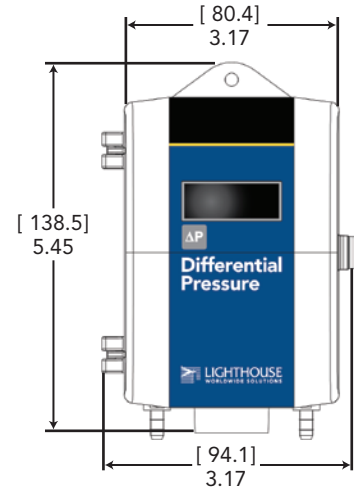
Electrical Data

Excitation Range	13 to 30 VDC/18 to 24 VAC (Voltage Output) 13 to 30 VDC (4 to 20mA output at terminals)
Current Consumption	30mA (max)
Mis-Wiring	Reverse Excitation Protection
Field Selectable Output	0 to 5 V, 0 to 10V (3-wire), 4 to 20mA (2-wire)
Output Resistance (Voltage Output)	10 Ohms (max)
Load Resistance (Voltage Output)	10 K-Ohms (min)
Loop Resistance (4-20mA)	0 to 800 Ohms
Approval	CE & RoHS Compliant

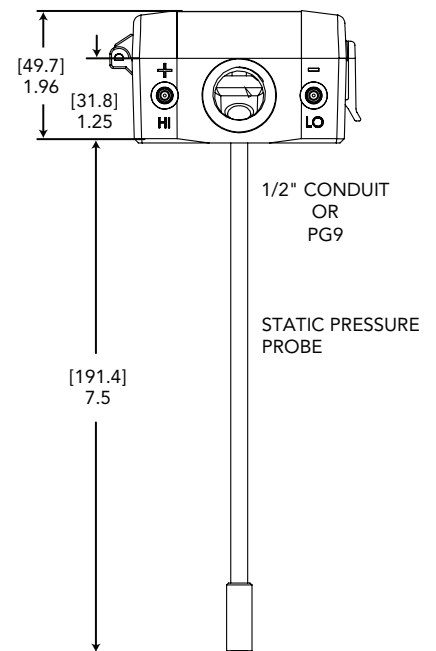
Distributed By:



Wall Mount



Duct Mount



Lighthouse Worldwide Solutions reserves the right to change specifications without notice.

www.golighthouse.com
 info@golighthouse.com
 1-800 945 5905 (Tollfree)
 1-541 770 5905 (Outside of USA)