

**LIGHTHOUSE**  
WORLDWIDE SOLUTIONS

# LH4 ULTRA LOW TEMPERATURE TRANSMITTER



## INNOVATION IN ULTRA LOW TEMPERATURE MEASUREMENT

- Measures temperature (-100 °C)
- High quality Pt100 sensor
- Teflon cable
- Current output
- High accuracy

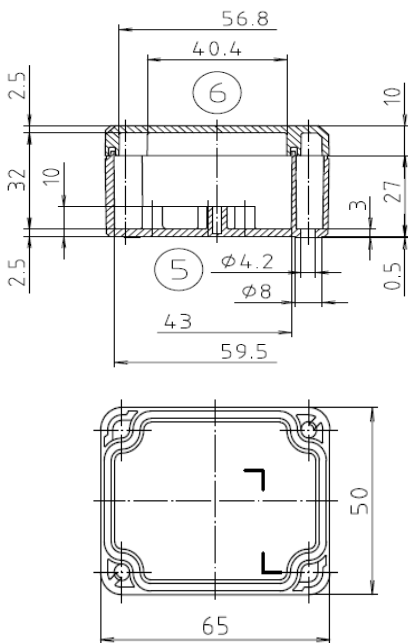
# LH4

# ULTRA LOW TEMPERATURE TRANSMITTER

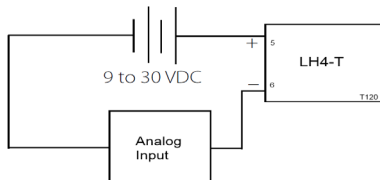
## TECHNICAL INFORMATION

The LH4 series is the ideal solution for measuring equipment temperature such as deep-freezers .

## DIMENSIONS



## CONNECTION DIAGRAM



General	
Transmitter	2-wire
Supply voltage	5...30 VDC (loop powered)
Current consumption	Transmitter with current output: $\pm 30$ mA
Parameters	Temperature in $^{\circ}\text{C}$
Housing material / IP	ABS / IP67
Weight	Approx. 135 gr
Sensor integrated in device	No
Remote sensor	
Sensor	Pt100 1/3 Din B, 3 wires
Cable	4 meter teflon cable
Sensor material	Inox tube, SS 316L
Dimension sensor head	$\varnothing 6$ mm x lenght 45 mm
Output	
Number	One analog output
Current	4...20mA
Range	-100 / 0 $^{\circ}\text{C}$
Accuracy	$\pm 0.5$ $^{\circ}\text{C}$