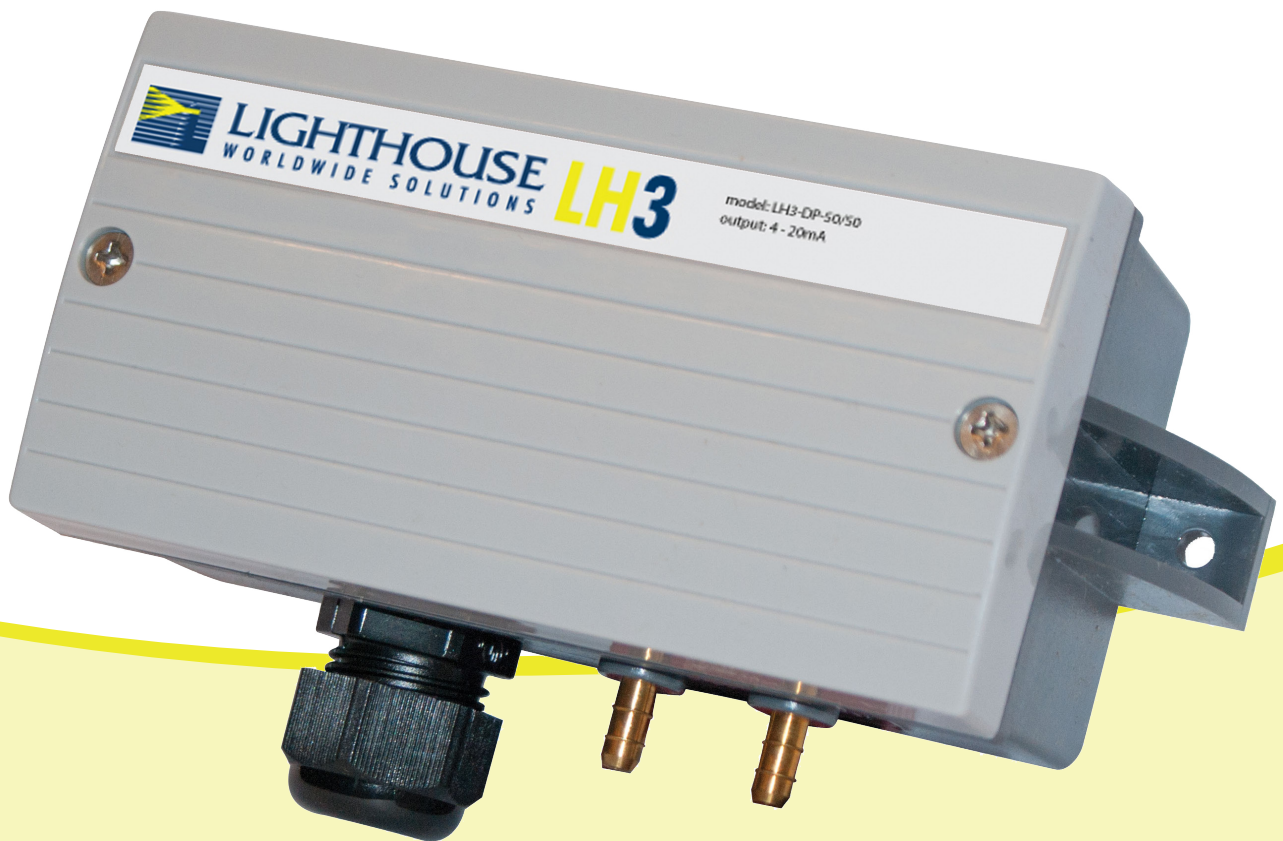


**LIGHTHOUSE**  
WORLDWIDE SOLUTIONS

# **LH3** DIFFERENTIAL PRESSURE TRANSMITTER



## **INNOVATION IN DIFFERENTIAL PRESSURE MEASUREMENT**

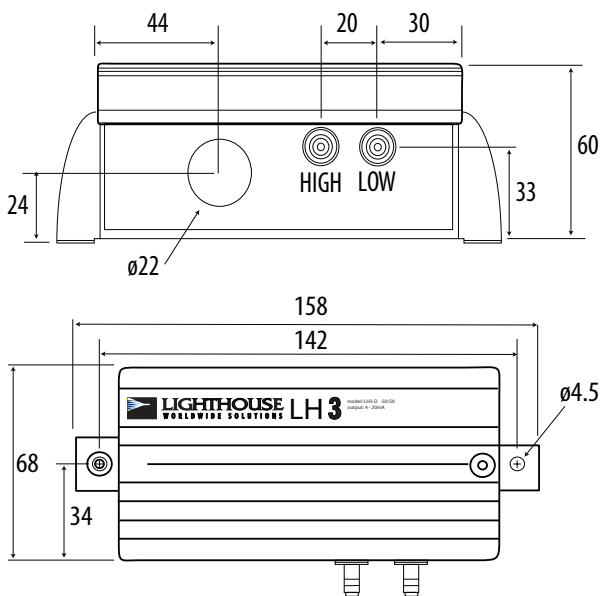
- Measures differential pressure
- High quality pressure sensor
- Current output
- High accuracy

# LH3 DIFFERENTIAL PRESSURE TRANSMITTER

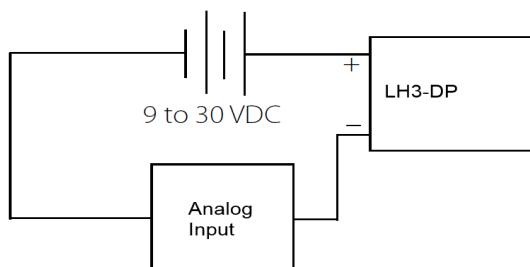
## TECHNICAL INFORMATION

The LH3 series is the ideal solution for measuring differential pressure in clean room, environmental control, laminar control, HVAC and air process applications.

## DIMENSIONS



## CONNECTION DIAGRAM



General	
Transmitter	2-wire
Supply voltage	9...30 VDC
Current consumption	Transmitter with current output: < 55 mA
Parameters	Differential pressure
Housing material / IP	ABS / IP65
Weight wall and duct versions	Approx. 255 g
Sensors integrated in device	Yes
Operating and measurement range	-50/50 or 0/100 Pa
Differential pressure measurement	
Accuracy (at constant temperature)	± 1.0% FS
Output	
Number	One analog output
Current	4...20mA