



LIGHTHOUSE
WORLDWIDE SOLUTIONS

LH1 HUMIDITY TEMPERATURE TRANSMITTER



INNOVATION IN HUMIDITY AND TEMPERATURE MEASUREMENT

- Measures relative humidity and temperature
- High quality humidity and temperature sensor
- Adjustable at 35% / 80% RH
- Two analog current outputs
- USB service interface
- Small footprint
- Easy mechanical installation

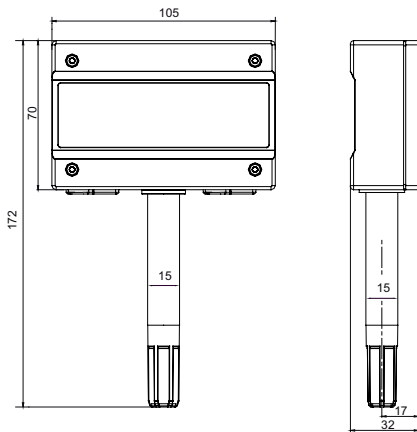
LH1 HUMIDITY TEMPERATURE TRANSMITTER

TECHNICAL INFORMATION

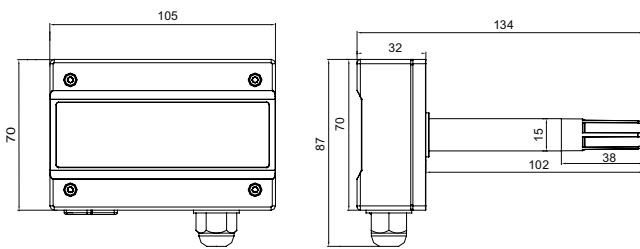
The LH1 series is the ideal solution for usage in clean room, environmental control, laminar control, HVAC and air process applications.

DIMENSIONS

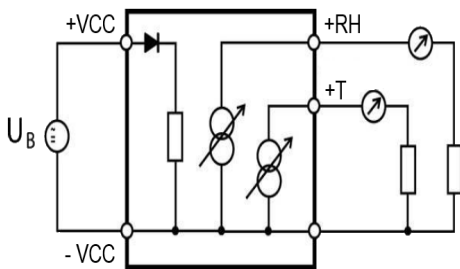
Wall version (W)



Duct version (D)



CONNECTION DIAGRAM



General	
Transmitter	3 -wire
Supply voltage	15...40 VDC
Current consumption	Transmitter with current output: < 55 mA
Parameters	Humidity and/or temperature
Housing material / IP	ABS / IP65
Weight wall and duct versions	Approx. 140 g
Sensors integrated in device	Yes
Operating and measurement range	0...50 °C / 5...95 %RH
CE / EMC compatibility	2004/108/EC
Humidity measurement	
Sensor	Capacitive polymer
Accuracy at 23 °C ±5 K	< 3 %RH (10...90 %RH)
Long-term stability	< 1.5 %RH per year
Response time t63	30 s (63 % of a jump 35...80 %RH) without filter
Temperature measurement	
Sensor	Thermistor
Temperature range	0...50 °C
Accuracy	± 0.3 °K (0...50 °C)
Response time	4 s
Outputs	
Number	Two analog outputs
Current	4...20 mA