

SmartBracket

INNOVATIVE MOUNTING SOLUTION



Data integrity and source verification are paramount in your work. In the past, before our innovative smart bracket, remote particle counters used to store location IDs within the counters themselves. During routine maintenance or service, operators occasionally misplaced these counters, as they often look alike. The result? Data inaccuracies stemming from the wrong location.

Enter our solution: the SmartBracket, armed with an innovative chip that effectively eliminates these common human errors. When combined with the ApexR, you can say goodbye to data mishaps and embrace the confidence of accurate and reliable information. The SmartBracket remains attached in place while the unit is removed, ensuring your location data is correct.

Furthermore, the SmartBracket's physical attributes allow for the seamless integration of vacuum tubing and communication (CAT6) cable, concealing them completely and ensuring they remain out of sight and firmly connected to the unit.

F E A T U R E S

- Integrated location ID chip
- Vacuum tubing and (CAT6) cable compatible
- Mitigates against data errors
- Enables easy wipe down
- Cleanroom friendly design
- Water resistant
- 2 Year Warranty

SmartBracket Mounting Solution Options

There are three options for mounting the ApexR with our SmartBracket system. This provides convenient options no matter what your setup preference may be.

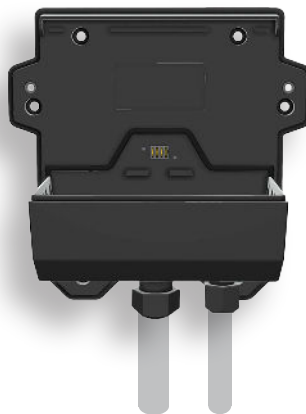
- 1** Our first option is to use the basic SmartBracket. Vacuum tubing and communications cables are mounted directly to the ApexR unit.
- 2** The second mounting option is to use floor facing cable mounts on the bracket itself, then through to the ApexR. This adds additional strength and reinforcement to the cables, preventing unexpected bends or potential for the cables to be bumped and pulled out. This is helpful for scenarios where the cables run downward.
- 3** The third option routes the cables through the back of the SmartBracket, and into the wall. This setup is often ideal for cleanroom applications, or other applications where the cables are hidden from view.

We are happy to make recommendations of which mounting solution would work best with your system. Our goal is always to make installation simple and effective for your specific needs.

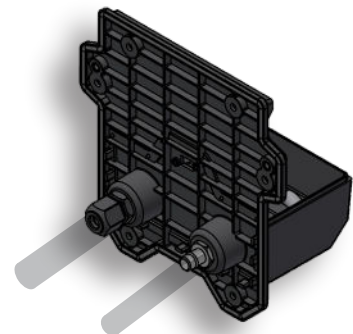
OPTION 1



OPTION 2



OPTION 3



Distributed By:



Lighthouse Worldwide Solutions reserves the right to change specifications without notice.