


SOLAIRPortable

AIRBORNE PARTICLE COUNTERS

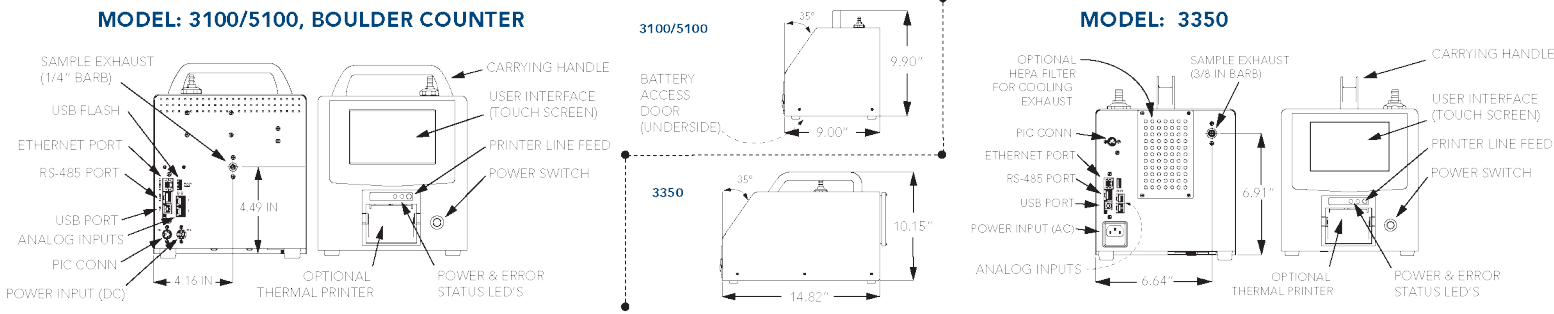


 Learn More

The SOLAIR series portable particle counters incorporate our extreme life laser diode sensor technology to produce the industry’s longest laser diode life of 20+ years MTTF (based on continuous 24/7 operation). Using a new, lighter, extended-life battery and external AC adapter, the SOLAIRs are even more portable. The SOLAIR features one of the industry’s best user interfaces (UI) to configure and operate the instrument with intuitive ICON-driven screens and menus that are simple and easy to learn and use.

F E A T U R E S

- 0.3 -100µm Particle Size Channels
- 1.0 CFM or 100 LPM Flow Rates Available
- Up to 8 channels of simultaneous count data
- 21 CFR Part 11 compliant secure USB flash transfer
- Extreme life laser diode technology
- Stainless steel construction
- Ethernet/RS485/Modbus, 4x 4-20mA
- 3,000 Record data storage
- 50-record configurable recipe database
- 2 Year Warranty



T E C H N I C A L D A T A S H E E T

SOLAIR Airborne Particle Counters

Features / Models	SOLAIR 3100	SOLAIR 5100	SOLAIR Boulder Counter	SOLAIR 3350
Minimum Size Detection	0.3 µm	0.5 µm	5.0 µm	0.3 µm
Standard 6 channel sizes	0.3, 0.5, 1.0, 3.0, 5.0, 10.0 µm	0.5, 0.7, 1.0, 3.0, 5.0, 10.0 µm	5.0, 10.0, 25.0, 40.0, 50.0, 100.0 µm	0.3, 0.5, 1.0, 3.0, 5.0, 10.0 µm
Additional Available sizes	0.7, 25.0 µm	25.0 µm	0.5, 1.0, 20.0, 30.0 µm	0.7, 25.0 µm
Flow Rate / Nozzle Size	1 CFM (28.3 LPM), 1/4" Inlet Barb			3.5 CFM (100 LPM), 3/8" Inlet Barb
Weight	13.95 lbs (6.33 kg)			25.83 lbs (11.73 kg)
Concentration Limits	1,000,000 Particles/ft ³ @10%(35,300,000/m ³) Coincidence loss Suitable for ISO classes 1-8 cleanrooms			400,000 Particles/ft ³ @10% (14,120,000/m ³) Coincidence loss suitable for ISO classes 1-8 cleanrooms

Communication	USB, Ethernet, RS-485, USB flash drive
Data Storage Records	3,000 Records
Count Modes	Automatic, manual, beep, concentration, cumulative/differential
Printer	Available with and without internal printer
Reports	ISO 14644-1:2015, EU GMP Annex 1
Alerts	On counts & low battery, Includes ext. Alarm connection
Enclosure	Stainless steel
Touch Screen Display	5.7 inch (14.47 cm) color TFT touch screen display
Power	100-250 VAC, 47-63 HZ
Light Source	Extreme Life Laser Diode with > 20 years MTTF
Calibration	ISO 21501-4 Compliant and Accredited ISO 17025
Zero Count Level	< 1 Count / 5 minutes (meets specifications of JIS B 9921 and reporting requirements of ISO 21501-4 Annex C)
Sample Output	Internally filtered to HEPA standards (>99.97 @ 0.3 µm)
Vacuum Source	Internal closed-loop controlled pump
Languages	English (US), French, German, Spanish, Italian, Russian, Japanese, Korean and Chinese
Supporting Software	LMS Express, LMS Pharma, LMS Professional, LMS XChange

Includes Isokinetic sample probe, tubing, purge filter, power cables, spare fuse, printer paper, Calibration Certificate.

Optional Printed operating manual, wireless network adapter, removable rechargeable Li-Ion battery, carrying case with wheels, temperature/relative humidity probe, intelligent filter scanner probe, air velocity probe, ext. Battery charger, software (LMS Express, LMS Pharma), validation documentation.

Distributed By:



Lighthouse Worldwide Solutions reserves the right to change specifications without notice.

www.golighthouse.com
info@golighthouse.com

+1-800-945-5905
+1-541-770-5905

