

Remote

AIRBORNE PARTICLE COUNTERS



Incorporating the latest in laser optical particle counting technology, Lighthouse designed the Remote airborne particle counter line for continuous trouble-free operation.

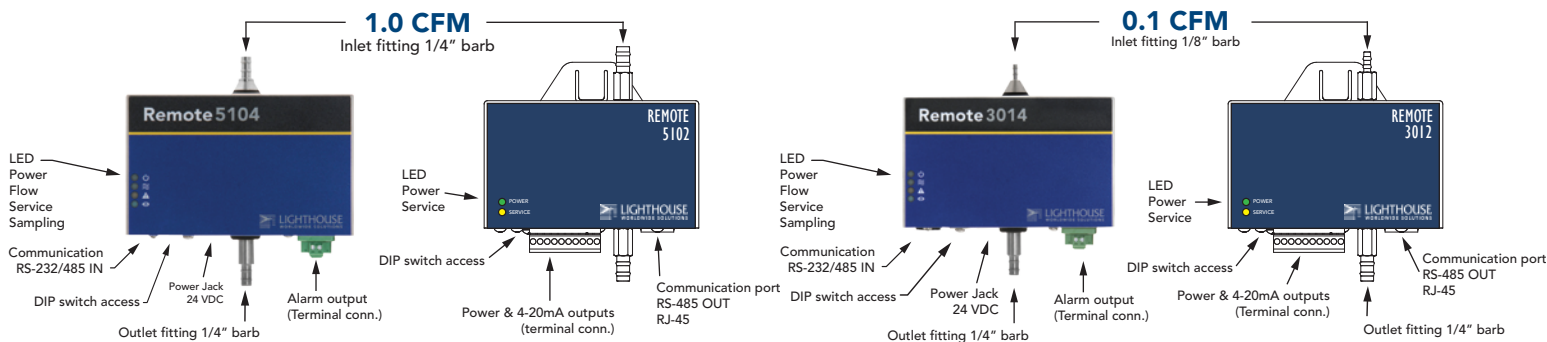
With minimum sensitivity ranges of 0.2 μm , 0.3 μm , 0.5 μm and flow rates of 1.0 CFM and 0.1 CFM the Remote line provides continuous real-time data collection at a cost-effective price per point.

Using external vacuum source, these compact particle counters provide versatile mounting options and can be installed where space is at a premium.

The Remote line will integrate seamlessly into large facility monitoring and management systems.

FEATURES

- 0.2 – 25.0 μm particle size ranges
- 1.0 CFM or 0.1 CFM flow rates
- 2 or 4 channels of simultaneous data
- Modbus, 4-20 mA outputs
- LED status indicators
- External alarm outputs
- Stainless steel enclosure
- Versatile mounting options
- 2 year warranty



T E C H N I C A L D A T A S H E E T

Remote Airborne Particle Counters

MODEL	Flow Rate	Size Range	# ch	Standard 2 channels	Optional 4 channels	Communication	LED	Weight / Dimensions
3104	1.0 cfm	0.3 - 25.0 µm	2, 4	0.3, 0.5 µm	0.3, 0.5, 0.7, 1.0 0.3, 0.5, 1.0, 5.0 0.3, 0.5, 5.0, 10.0	485 Modbus RJ45	Power, Service Flow, Sampling	2 lbs (0.90 kg) 3.5"(l)x4.2"(w)x3.3"(h) [8.89x10.66x8.38 cm]
3102	1.0 cfm	0.3 - 25.0 µm	2	0.3 - 0.5 µm		4-20 mA screw terminal	Power, Service	2 lbs (.90 kg) 3.5"(l)x4.2"(w)x3.3"(h) [8.89x10.66x8.38 cm]
5104	1.0 cfm	0.5 - 25.0 µm	2, 4	0.5, 5.0 µm 0.5, 10.0 µm	0.5, 1.0, 5.0, 10.0 µm 0.5, 5.0, 10.0, 25.0 µm	485 Modbus RJ45	Power, Service Flow, Sampling	0.97 lbs (0.44 kg) 1.7"(l)x4.2"(w)x3"(h) [4.3x10.7x7.6cm]
5102	1.0 cfm	0.5 - 25.0 µm	2	0.5 - 5.0 0.5 - 10.0 µm		4-20 mA screw terminal	Power, Service	0.78 lbs (0.35 kg) 1.7"(l)x4.2"(w)x2.5"(h) [4.3 x 10.7 x 6.3 cm]

MODEL	Flow Rate	Size Range	# ch	Standard 2 channels	Optional 4 channels	Communication	LED	Weight / Dimensions
2014	0.1 cfm	0.2 - 2.0 µm	2, 4	0.2, 0.3 µm 0.2, 0.5 µm	0.2, 0.3, 0.5, 1.0 µm 0.2, 0.3, 0.5, 2.0 µm	485 Modbus RJ45	Power, Service Flow, Sampling	0.97 lbs (0.44 kg) 1.7"(l) x 4.2"(w) x 3"(h) [4.3 x 10.7 x 7.6 cm]
2012	0.1 cfm	0.2 - 2.0 µm	2	0.2, 0.3 µm 0.2, 0.5 µm		4-20 mA screw terminal	Power, Service	0.78 lbs (0.35 kg) 1.7"(l) x 4.2"(w) x 2.5"(h) [4.3 x 10.7 x 6.3cm]
3014	0.1 cfm	0.3 - 25.0 µm	2, 4	0.3, 0.5 µm 0.3, 1.0 µm 0.3, 3.0 µm	0.3, 0.5, 1.0, 5.0 µm	485 Modbus RJ45	Power, Service Flow, Sampling	0.97 lbs (0.44 kg) 1.7"(l) x 4.2"(w) x 3"(h) [4.3 x 10.7 x 7.6cm]
3012	0.1 cfm	0.3 - 25.0 µm	2	0.3, 0.5 µm 0.3, 1.0 µm 0.3, 3.0 µm		4-20 mA screw terminal	Power, Service	0.78 lbs (0.35 kg) 1.7"(l) x 4.2"(w) x 2.5"(h) [4.3 x 10.7 x 6.3cm]
5014	0.1 cfm	0.5 - 25.0 µm	2, 4	0.5, 5.0 µm 0.5, 10.0 µm	0.5, 1.0, 5.0, 10.0 µm	485 Modbus RJ45	Power, Service Flow, Sampling	0.97 lbs (0.44 kg) 1.7"(l) x 4.2"(w) x 3"(h) [4.3 x 10.7 x 7.6 cm]
5012	0.1 cfm	0.5 - 25.0 µm	2	0.5, 5.0 µm 0.5, 10.0 µm		4-20 mA screw terminal	Power, Service	0.78 lbs (0.35 kg) 1.7"(l)x4.2"(w)x2.5"(h) [4.3x10.7x6.3cm]

Light Source	Laser diode	Vacuum Requirements	External vacuum > 18" (45.72 cm) of Hg
Zero Count Level	<1 count / 5 minutes (per ISO 21501-4)	Supporting Software	LMS Express, LMS Express RT, LMS Pharma, LMS Pro
Concentration limits:	1.0 CFM: Remote 3104, 5104: 1,000,000 particles / ft3 @ 10% coincidence loss: 0.1 CFM: Remote 2012, 3012, 5012, 2014, 3014, 5014 4,000,000 particles / ft3 @ 10% coincidence loss	Enclosure	Stainless steel
		Power	24 VDC
		Accessories	Included: Operating manual on CD Optional: Printed operating manual; Isokinetic sampling probe; vacuum tubing, sample tubing; cabling; purge filter; remote mounting bracket.
Counting Efficiency	0.2 µm models; 50% @ 0.2 µm; 100% > 0.3 µm 0.3 µm models; 50% @ 0.3 µm; 100% > 0.45 µm 0.5 µm models; 50% @ 0.5 µm; 100% > 0.75 µm	Calibration	Meets ISO 21501-4

Distributed By:



Lighthouse Worldwide Solutions reserves the right to change specifications without notice.

www.golighthouse.com 1-800 945 5905 (Tollfree)
info@golighthouse.com 1-541 770 5905 (Outside of USA)

