

Remote5104V

AIRBORNE PARTICLE COUNTERS



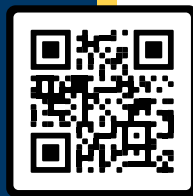
Compatible with VHP, the Remote 5104V meets the stringent requirements of today's aseptic processing application. In addition, the Remote 5104V was designed to operate in CLASS 1 DIV 2 hazardous environments found in many challenging applications.


The Remote 5104V uses a critical orifice and external vacuum source for flow control. Built-in flow monitoring assures accuracy and reliability of the sensor's performance.

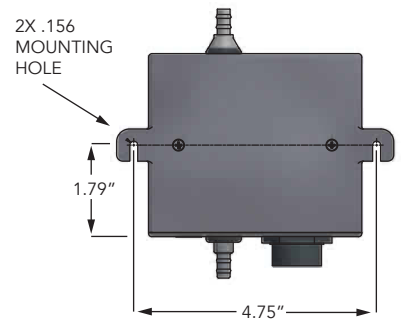
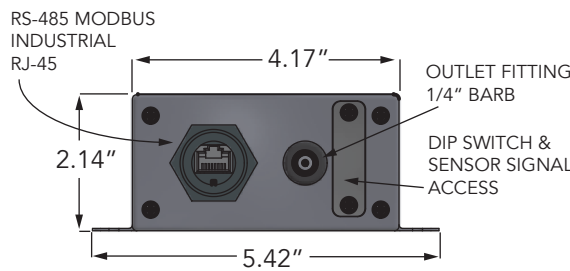
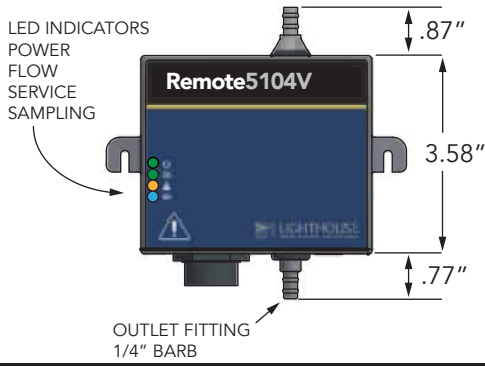
With a sensitivity of 0.5 μm and 1.0 CFM flow rate, the Remote 5104V provides real-time continuous data collection at a cost-effective price per point and integrates seamlessly with facility monitoring and building management systems.

F E A T U R E S

- Class I Division 2 Rating
- 0.5- 5.0 μm (optional channels up to 25 μm)
- 1.0 CFM (28.3 LPM) flow rate
- Up to 4 channels of simultaneous count data
- Real-time continuous monitoring
- 316L stainless steel, wash down splash tight enclosure
- Status indicators for power, flow, service, sampling
- RS-485 Modbus communication
- Interfaces to facility monitoring systems
- Uses external vacuum source
- 2 year warranty



 Learn More



T E C H N I C A L D A T A S H E E T

Remote5104V Remote Airborne Particle Counters

Features

Size Range	0.5 - 25.0 µm
Standard 2 Channels	0.5, 5.0 µm; (0.5, 1.0, 5.0, 25.0 µm)
Flow Rate	1.0 CFM (2.83 LPM)
Laser Source	Laser Diode
Zero Count Level	< 1 Count / 5 minutes (meets specifications of JIS B 9921 and reporting requirements of ISO 21501-4 Annex C)
Concentration Limits	1,000,000 Particles/ft3@10% Coincidence loss suitable for ISO classes 1-8 cleanrooms
Data Storage	2,300
Calibration	ISO 21501-4 Compliant and Accredited ISO 17025
External Vacuum Requirements	18" (45.72 cm) of Hg
Air Flow	Internally monitored
Communication Modes	Serial - 485 Modbus RJ45
LED Indicators	Power, flow, service, sampling
Connector	Industrial RJ-45
Enclosure	316L Stainless steel, wash down resistant, splash tight
Power	24 VDC
Dimensions	5.42" (l) x 2.14" (w) x 3.58" (h), [13.76 cm (l) x 5.43 cm (w) x 9.09 cm (h)]
Weight	15.6 oz (0.44 kg)
Software	LMS Express, LMS Pharma, LMS Pro and LMS Xchange
Includes	24 VDC power adapter and power cord, Calibration Certificate

Optional Temperature & humidity probe, 1 CFM isokinetic sample probe, Beveline tubing, printed operators manual, Purge Filter

Distributed By:



Lighthouse Worldwide Solutions reserves the right to change specifications without notice.